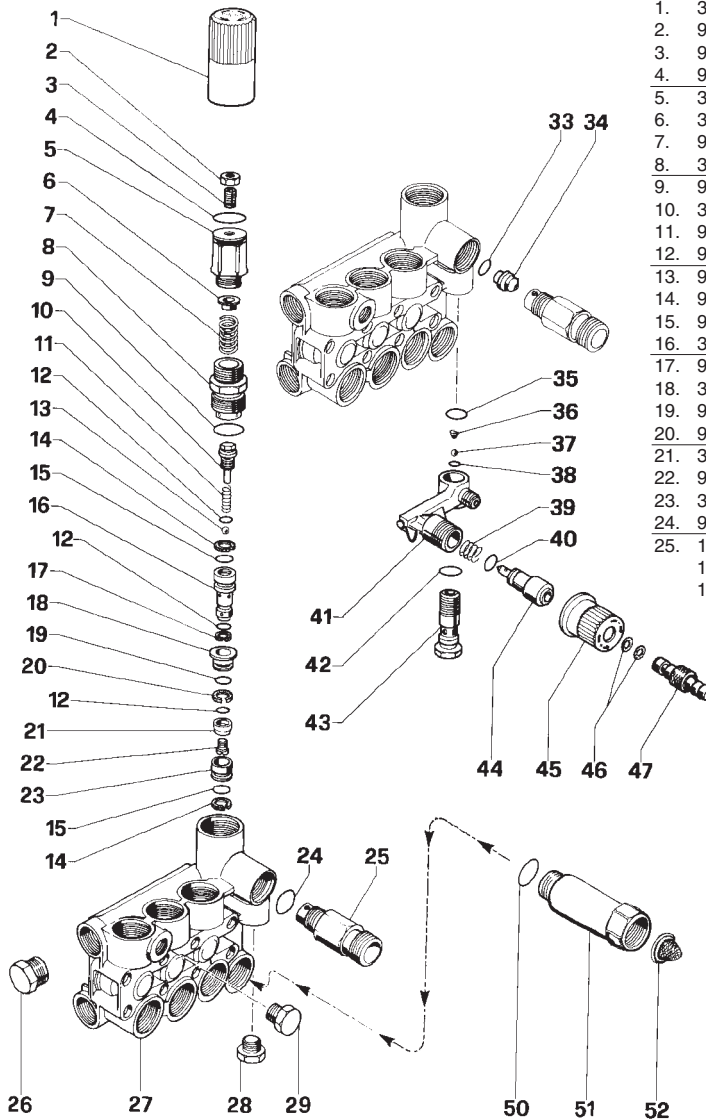




- Features a Built-In Unloader, with optional Chemical Injector and optional Inlet Fitting
- Available in Aluminum (1300 PSI Maximum) or Brass (1500 PSI Maximum)

*General Pump recommends using a GRV safety relief device in conjunction with this unloader valve when installed on a positive displacement pump. General Pump is not liable and assumes no responsibility for this valve when used in a customer's high pressure system.*

## PARTS LIST



NO.	PART NO.	DESC.	KIT NO.	QTY.	NO.	PART NO.	DESC.	KIT NO.	QTY.
1.	36.3187.51	Knob		1	26.	98.2041.00	Cap, 1/4 BSPP		1
2.	92.2218.00	Nut		1		90.2100.00	Cap, 3/8 BSPP		
3.	99.3054.00	Screw		1	27.	55.1200.22	Manifold Alum.		1
4.	90.3598.00	O-Ring		1		51.1201.41	Manifold Brass		
5.	36.3185.70	Press Regulator		1	28.	98.2057.00	Cap		1
6.	36.3169.70	Seat		1	29.	98.2041.00	Cap		1
7.	94.7436.00	Spring		1	<b>OPTIONAL</b>				
8.	36.3184.70	Bushing	102	1	33.	90.3822.00	O-Ring	94,102	1
9.	90.3847.00	O-Ring	102	1	34.	10.0151.66	Nozzle, 2.0mm		1
10.	36.3188.70	Stopper	102	1		10.0076.66	Nozzle, 2.2mm		
11.	94.7332.00	Spring	102	1	35.	90.3582.00	O-Ring	94	1
12.	90.3575.00	O-Ring	102	3	36.	94.8217.00	Spring	94	1
13.	97.4800.00	Ball	102	1	37.	97.4782.00	Ball	94	1
14.	90.5065.00	Anti-Ext. Ring	102	3	38.	90.3572.00	O-Ring	94	1
15.	90.3822.00	O-Ring	102	2	39.	94.7383.00	Spring	94	1
16.	36.3189.70	Control Piston	102	1	40.	90.3580.00	O-Ring	94	1
17.	90.5025.00	Anti-Ext. Ring	102	1	41.	36.3181.51	Body		1
18.	36.3165.70	Valve Guide	102	1	42.	90.3585.00	O-Ring	94	1
19.	90.3589.00	O-Ring	102	1	43.	36.2563.70	Valve Seat		1
20.	90.5075.00	Anti-Ext. Ring	102	1	44.	36.2564.70	Shutter		1
21.	36.3190.66	Valve	102	1	45.	36.2565.51	Knob		1
22.	99.1509.00	Screw	102	1	46.	90.3570.00	O-Ring	94	2
23.	36.3164.66	Valve Seat	102	1	47.	36.2566.70	Coupling		1
24.	90.3832.00	O-Ring	94	1	<b>OPTIONAL</b>				
25.	10.0078.70	Fitting, 3/8 BSPP		1	50.	701115	O-Ring		1
	10.0147.70	Fitting, M22			51.	680006	Inlet Fitting		1
	10.0318.70	Fitting, 3/8 NPT			52.	700004	Filter Washer		1

Kit No.	94	102
Item No's.	24-33-35	8-9-10-11-12
in Kit	36-37-38-39	13-14-15-16
	40-42-46	17-18-19-20
		21-22-23-33
Qty.	1	1

